



HEATING ADJUSTMENT LIST

MATERIAL INDICATOR	POLYETHYLENE	POLYPROPYLENE OR HIGH-HEAT FILM
1	UNDER 0.06m/m	
2	UNDER 0.1m/m	
3	UNDER 0.14m/m	
4	UNDER 0.2m/m	UNDER 0.03m/m
5		UNDER 0.044m/m
6		UNDER 0.06m/m
7		UNDER 0.08m/m



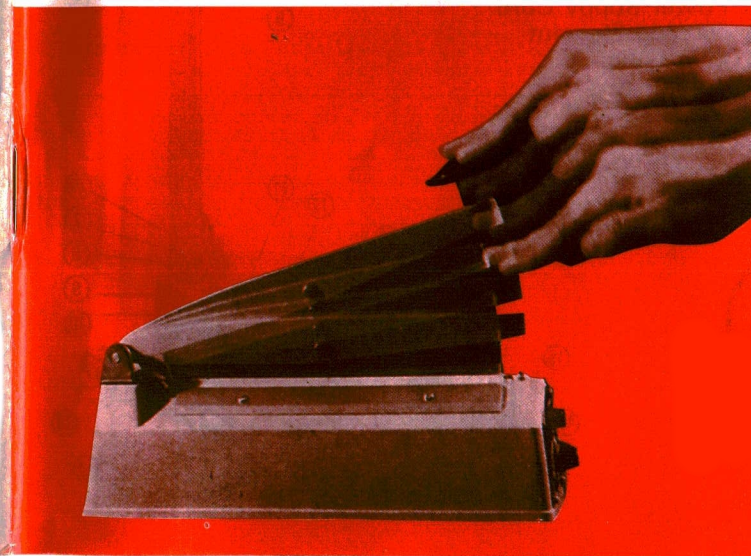
**BOATMAN
MARKING**

Packaging Supplies & Equipment

BOATMAN MARKING
2553 Lee Avenue
South El Monte, CA 91733
Phone: (626) 350-9700
Fax: (626) 350-8045

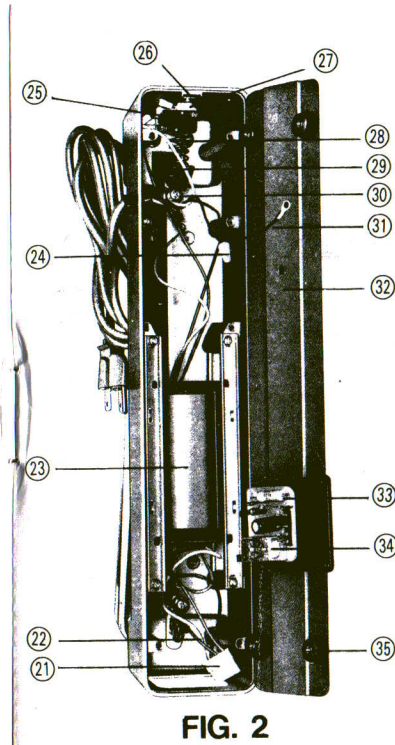
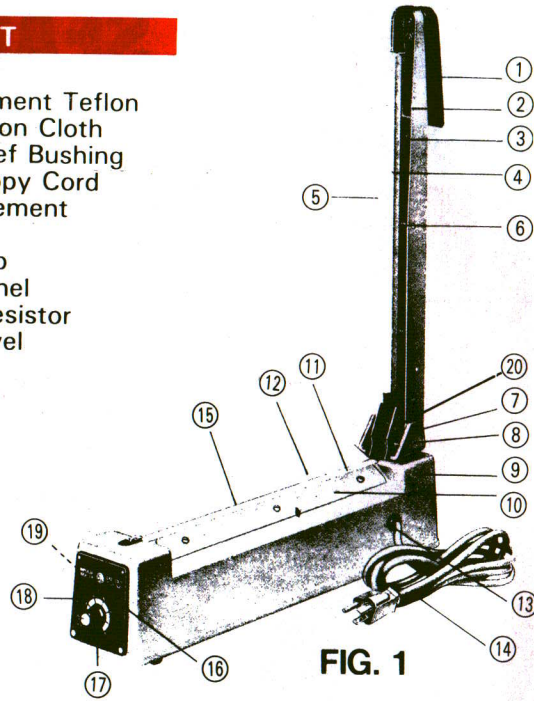
IMPULSE SEALER

INSTRUCTION MANUAL



1 DESCRIPTION OF EVERY PART

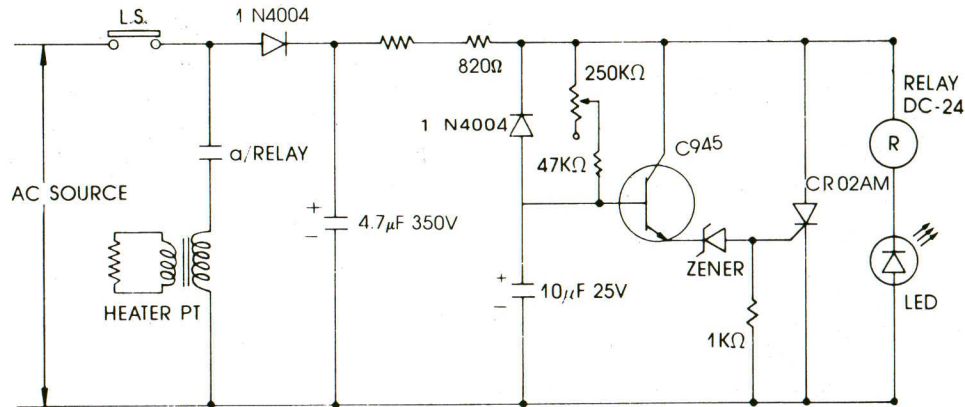
- ① Handle Knob
- ② Platen Arm
- ③ Platen Spring
- ④ Platen
- ⑤ Silicon Rubber
- ⑥ Swivel
- ⑦ Hinge
- ⑧ Hinge Bracket
- ⑨ Enclosure
- ⑩ Metal Plate
- ⑪ Lower Element Teflon
- ⑫ Upper Teflon Cloth
- ⑬ Strain Relief Bushing
- ⑭ Power Supply Cord
- ⑮ Heating Element
- ⑯ Pilot Lamp
- ⑰ Timer Knob
- ⑱ Control Panel
- ⑲ Variable Resistor
- ⑳ Switch Level



**USE ONLY GENUINE
REPLACEMENT PARTS**

- ⑲ Variable Resistor
- ⑳ Switch Level
- ⑳ Switch Level
- ㉑ Wire Connector
- ㉒ Internal Wiring
- ㉓ Heater Transformer
- ㉔ Connectors
- ㉕ Microswitch
- ㉖ Switch Bracket
- ㉗ Switch Insulation
- ㉘ Switch Lever Spring
- ㉙ Switch Lever (Bottom View)
- ㉚ Heater Terminal Assembly
- ㉛ Grounding Wire
- ㉜ Cover Plate
- ㉝ Printed Wiring Board
- ㉞ Relay
- ㉟ Rubber Foot & Screw

2 CONNECTION DIAGRAM



3 PURPOSE

This Impulse Sealer is to insure a water tight and air tight seal for effective autoclaving and sterilization procedure.

4 CHARACTERISTIC

Compact Design
Strong Water Tight Seal
Fast Operating
Power Saving
Precision Electronic Circuit
Long Life

5 OPERATION

- Plug cord into AC outlet. No switch necessary, Machine will operate only when arm is depressed. Regulate the timer according to thickness of material to be sealed. Use a higher-number for thicker material. Pull handle down. Sealing takes place when light is on, Leave down for additional second after light goes off for a better seal.
- Use a lower number in case seal burns through
- Raise to higher number when seal isn't tight
- Should bag stick to silicon rubber, you did not give enough cooling time.
- Once you set the time, no need to reset as the machine will remain constant and unchanged.
- No need to remove plug from socket as machine will not operate unit until handle is lowered. No Power is consumed.

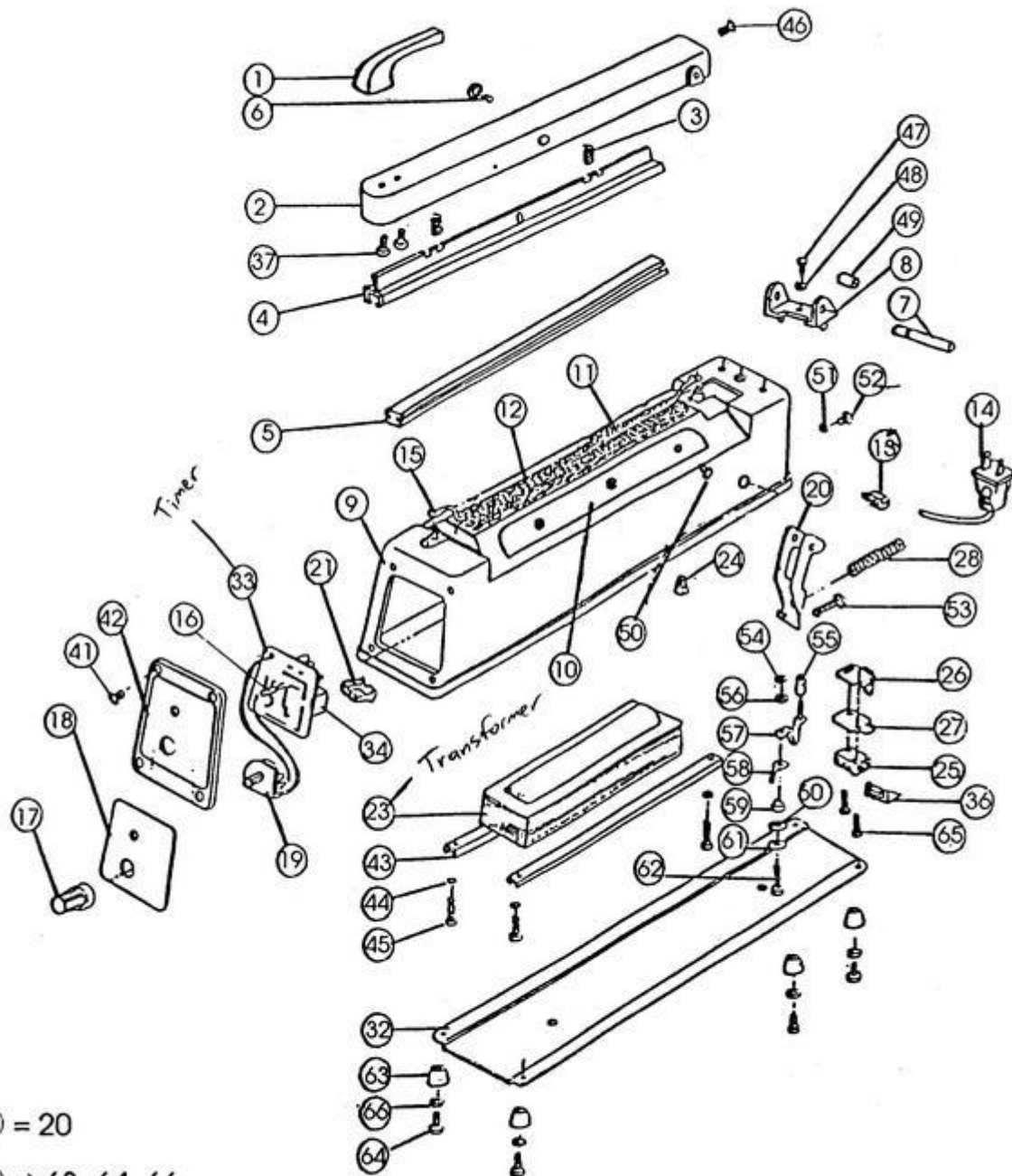
6 NOTES

- Always keep sealing platform clean. Leaving residue will reduce life of element, teflon, and silicon rubber.
- Never use moisture to clean sealing surface.
- Replace torn teflon at once. A torn cloth will short circuit the element and damage it. Every time you replace the element, replace the lower and upper teflon cloth.
- For best operation, use only genuine replacement parts.
- A worn silicon rubber will influence the seal, change the silicon when worn or burned.
- Unplug wire when servicing the machine.

7 SPARE PARTS

ACCESSORIES	Q'TY
HEATING ELEMENT	2
UPPER CLOTH	2

300H, 400H



②⑨ = 20

③⑤ → 63, 64, 66

③⑩ → 54, 55, 56, 57, 58, 59, 60, 61, 62

* No listing numbers: 22, 31, 38, 39, 40

No.	Description	Part Number	No.	Description	Part Number
1	Bakelite Handle	*BA300H	52	Screw	*SCREW#52
2	Casting Arm	*ARM300H	53	Screw	*SCREW#53
3	Platen Spring	*PLATSP3	54	Washer	
4	Platen	*PLATEN3	55	Insulator for Bow Spring	
5	Silicon Rubber	*SR300H	56	Insulating Washer	
6	Screw	*SCREW#6	57	Bow Spring	
7	Handle Pole	*PART#7	58	Brass Contact	
8	Hinge Pin	*HINGE2	59	Convex Bakelite	
9	Casting Body	*BD300H	60	Washer	
10	Side Metal Plate	*MPLATE3	61	Washer	
11	Lower Teflon	*TFL300H	62	Screw	
12	Upper Teflon	*TF300H	63	Rubber Foot	
13	Power Cord Holder	*CORDHOLD	64	Screw	
14	Power Cord	*CORD-H	65	Screw	
15	Element Wire	*EF300H	66	Washer	
16	Led				
17	Control Panel Knob	*KNOB			
18	Control Panel	*PANEL3			
19	Verb Register 250K	*VR250K			
20	Switch Lever	*LEVER3			
21	Connection Bush	*CONNECTH			
22					
23	Transformer	*TR300H			
24	Connection Bush	*PART#24			
25	Micro Switch	*MICRO-H			
26	MS Fixed Adjusting Piece	*PART#26			
27	MS Insulating Electric Piece	*PART#27			
28	Moving Spring	*MOVESP3			
29	Switch Lever	*LEVER2			
30	Bow Spring Screw Washer	*BOW-SET			
31					
32	Bottom Cover	*COVER3			
33	Timer	*TI300H			
34	Relay	*RELAY-H			
35	Rubber Foot	*FOOT-H2			
36	Activator	*ACTIV			
37	Screw	*SCREW#37			
38					
39					
40					
41	Screw	*SCREW#41			
42	Timer Cover	*TICOVER3			
43	Transformer Cover	*TRCOVER3			
44	Washer	*WASHER#44			
45	Screw	*SCREW#45			
46	Screw	*SCREW#46			
47	Screw	*SCREW#47			
48	Washer	*WASHER#48			
49	Shaft Liner Handle	*PART#49			
50	Screw	*SCREW#50			
51	Washer	*WASHER#51			